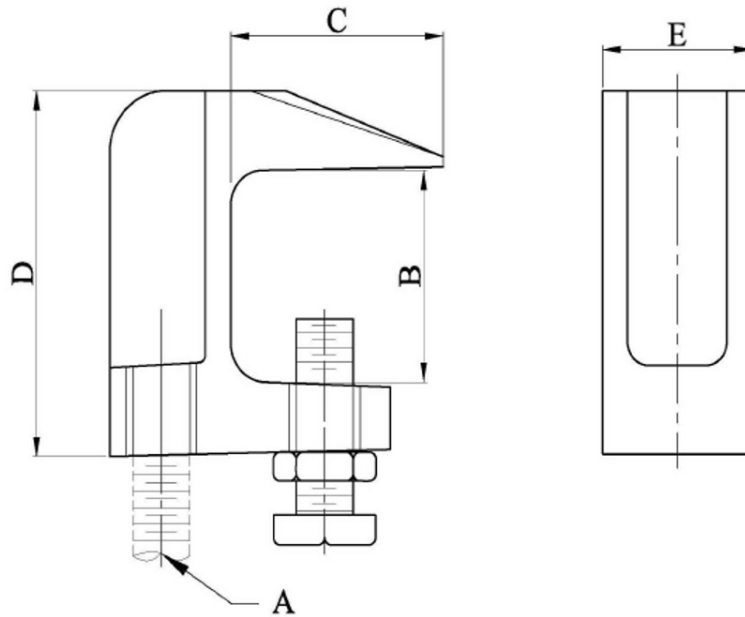


Dimensional Data are Subject to Manufacturing Tolerance and Change Without Notice



Rod size A (inch)	B	C	D	E	Max Load(Lbs)		Max Pipe Size	Approx N.W.(Lbs)
					Regular	Reverse		
3/8	1.25	0.82	1.95	0.93	400	Not allowed	4	0.36
1/2	1.25	0.82	2.10	1.00	500	Not allowed	8	0.40
5/8	1.25	1.22	2.32	1.26	800	Not allowed	5	0.78
3/4	1.25	1.27	2.48	1.34	950	Not allowed	6	0.97

Size Range: 3/8", 1/2", 5/8", 3/4"

Material: Malleable iron ASTMA47 Grade 32510

Finish: Plain / Galvanized