

# PIPE CLAMPS

## CC01 - Rubber Lined Pipe Clamp

Size Range: 1/4" through 6"

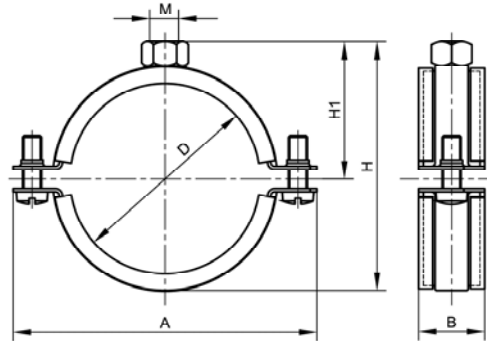
Material: Carbon steel

Finish: Zinc plated, other finish available upon request

Service:

- Suitable for pipe attachments in industrial areas
- Suitable for fastening of drinking water and heating pipes
- For indoor use

Ordering: Specify Part Number



Part Number	Nominal Pipe Size		For pipe outer diameter mm	M mm	A		B in.	B mm	H1		H		Max. Rec. Load	
	in.	mm			in.	mm			in.	mm	in.	mm	lbs	N
CC01-008	1/4"	DN8	12-15		1.91	48.5			0.75	19	1.22	31	270	1200
CC01-010	3/8"	DN10	15-20		2.07	52.5			0.83	21	1.38	35		
CC01-015	1/2"	DN15	21-25		2.30	58.5			0.94	24	1.61	41		
CC01-020	3/4"	DN20	25-30		2.46	62.5			1.02	26	1.77	45		
CC01-025	1"	DN25	32-37	M8	2.78	70.5	0.83	21	1.18	30	2.09	53	290	1300
CC01-032	1 1/4"	DN32	40-45		3.09	78.5			1.34	34	2.40	61		
CC01-040	1 1/2"	DN40	46-53		3.41	86.5			1.50	38	2.72	69		
CC01-54/58		54-58mm	54-58		3.64	92.5			1.61	41	2.95	75		
CC01-050	2"	DN50	59-63		3.80	96.5			1.69	43	3.11	79		
CC01-008A	1/4"	DN8	12-15		1.91	48.5			1.14	29	1.61	41	270	1200
CC01-010A	3/8"	DN10	15-20		2.07	52.5			1.22	31	1.77	45		
CC01-015A	1/2"	DN15	21-25		2.30	58.5			1.34	34	2.01	51		
CC01-020A	3/4"	DN20	25-30		2.46	62.5			1.42	36	2.17	55		
CC01-025A	1"	DN25	32-37		2.78	70.5	0.83	21	1.57	40	2.48	63	290	1300
CC01-032A	1 1/4"	DN32	40-45		3.09	78.5			1.73	44	2.80	71		
CC01-040A	1 1/2"	DN40	46-53		3.41	86.5			1.89	48	3.11	79		
CC01-54/58A		54-58mm	54-58		3.64	92.5			2.01	51	3.35	85		
CC01-050A	2"	DN50	59-63		3.80	96.5			2.09	53	3.50	89		
CC01-70mm		70mm	63-70		4.06	103			2.20	56	3.74	95		
CC01-065	2 1/2"	DN65	72-78	M8/M10	4.37	111			2.36	60	4.06	103	425	1900
CC01-83mm		83mm	78-86		4.69	119			2.52	64	4.37	111		
CC01-080	3"	DN80	87-93		4.96	126			2.66	67.5	4.65	118		
CC01-102mm		102mm	98-104		5.39	137			2.87	73	5.08	129		
CC01-100	4"	DN100	108-115		5.98	152	0.91	23	3.11	79	5.55	141		
CC01-116mm		116mm	114-118		6.14	156			3.19	81	5.71	145	515	2300
CC01-119/123		119-123mm	119-123		6.38	162			3.31	84	5.94	151		
CC01-125mm		125mm	124-130		6.93	176			3.43	87	6.18	157		
CC01-133mm		133mm	132-137		7.24	184			3.58	91	6.50	165		
CC01-125	5"	DN125	137-142		7.68	195			3.78	96	6.89	175	605	2700
CC01-160mm		160mm	159-163		8.54	217	1.10	28	4.21	107	7.76	197		
CC01-150	6"	DN150	164-168		8.82	224			4.33	110	7.95	202		

Marker Material: Fibreglass  
Diameter: 8mm