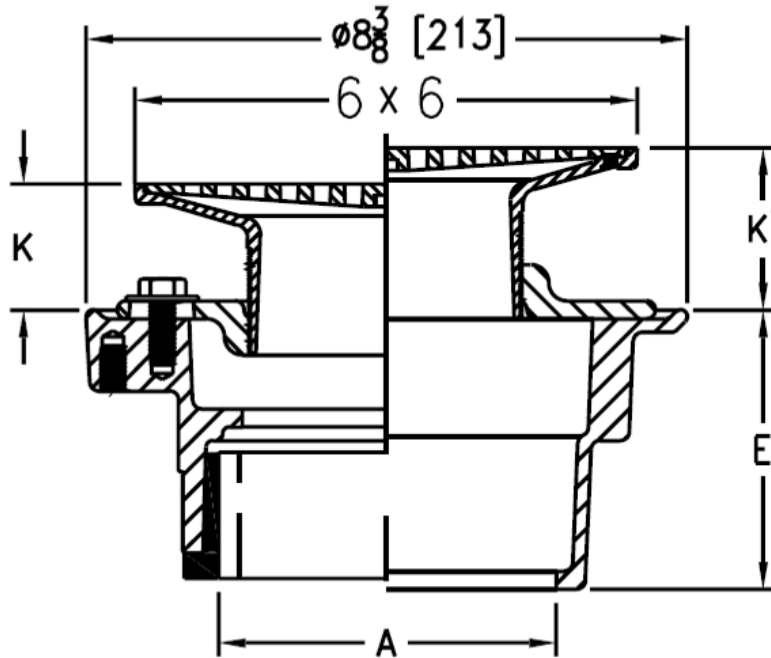


Dimensional Data are Subject to Manufacturing Tolerance and Change Without Notice



A Pipe Size	Strainer Top Size	K		K'	
		Min	Max	Min	Max
2, 3, 4 [51, 76, 102]	6 X 6 [152 X 152]	[25]	[47]	[36]	[66]

**ENGINEERING SPECIFICATION:**

Floor and shower drain, Dura-Coated cast iron body with bottom outlet, combination invertible membrane clamp and adjustable collar with seepage slots and 6" x 6" [152mm x 152mm] square polished nickel bronze, square heel-proof, light-duty strainer.

PIPE SIZE	(type) OUTLET	E BODY HT. DIM.	WT. Lbs[kg]
2, 3, 4 [51, 76, 102]	NH No-Hub	3-13/16 [97]	13 [6]
2, 3, 4 [51, 76, 102]	PO Push-On	3-7/8 [98]	13 [6]

**PREFIXES**

QN415 D.C.C.I. Body Assembly w/ Polished Nickel Bronze Top

**SUFFIXES**

-TC Test Cap Gasket

