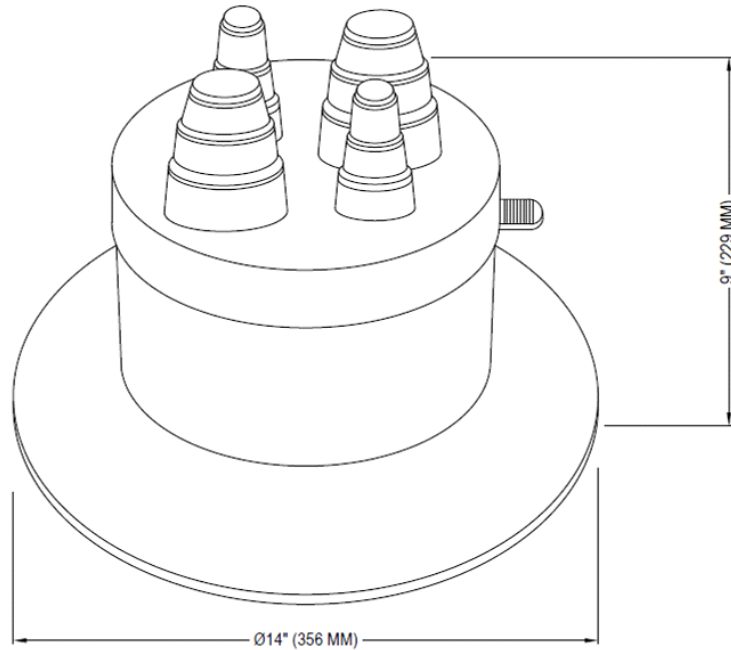


Dimensional Data are Subject to Manufacturing Tolerance and Change Without Notice



ENGINEERING SPECIFICATION:

14" [356mm] diameter Aluminum base, 9-3/4" [247mm] tall with C212 rubber cap, 8" [203mm] diameter stack and stainless steel clamps.

Base Material: Aluminum

Base Diameter: 14" [356mm]

Base Height: 6-1/4" [158mm]

Cap Material: EPDM Rubber

Stack Diameter: 8" [203mm]

Total Height: 9-3/4" [247mm]

Range: (2) 1/4", 1-1/2", 2" and (2) 3-8"-1/2", 3/4", 1"

Clamp Material: Stainless Steel

SUFFIXES

- ST 14" Standard Flange with 8" Tall Standard Stack
- XW 18" Extra Wide Flange with 8" Tall Standard Stack
- XT 14" Standard Flange with 13" Extra Tall Stack



Richang Qiaoshan Trade Co., Ltd.

1-256, No. 35 Zhenxing Road, Changping, Beijing, China 102200

Ph: 86-10- 64644308 Fax: 86-10-64644308

www.qiaoshan.co

Date: Aug-24

Dwg. No. : **QBC212**