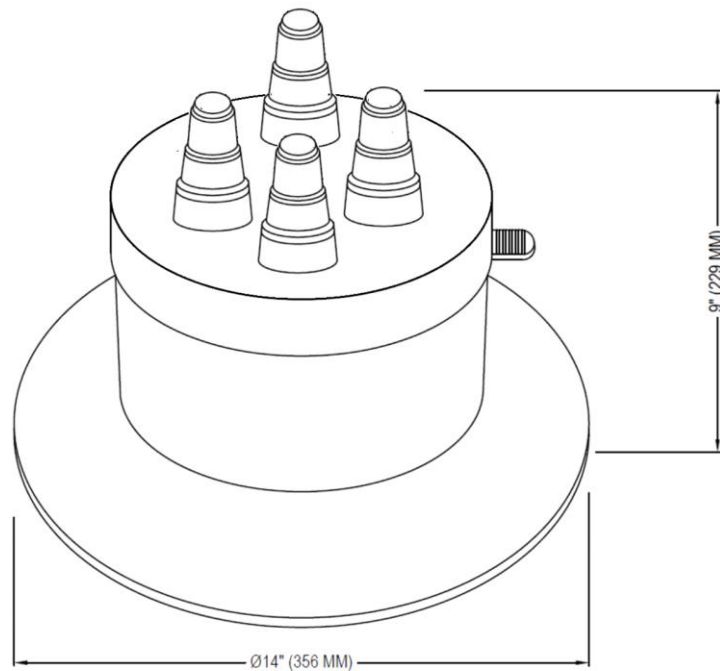


Dimensional Data are Subject to Manufacturing Tolerance and Change Without Notice



**ENGINEERING SPECIFICATION:**

14" [356mm] diameter Aluminum base, 9-3/4" [247mm] tall with C481 rubber cap, 8" [203mm] diameter stack and stainless steel clamps.

**Base Material:** Aluminum

**Base Diameter:** 14" [356mm]

**Base Height:** 6-1/4" [158mm]

**Cap Material:** EPDM Rubber

**Stack Diameter:** 8" [203mm]

**Total Height:** 9-3/4" [247mm]

**Range:** (4) 3-8"-1/2", 3/4", 1"

**Clamp Material:** Stainless Steel

**SUFFIXES**

- ST 14" Standard Flange with 8" Tall Standard Stack
- XW 18" Extra Wide Flange with 8" Tall Standard Stack
- XT 14" Standard Flange with 13" Extra Tall Stack



**Richang Qiaoshan Trade Co., Ltd.**

1-256, No. 35 Zhenxing Road, Changping, Beijing, China 102200

Ph: 86-10- 64644308 Fax: 86-10-64644308

[www.qiaoshan.co](http://www.qiaoshan.co)

Date: Aug-24

Dwg. No. : **QBC481**