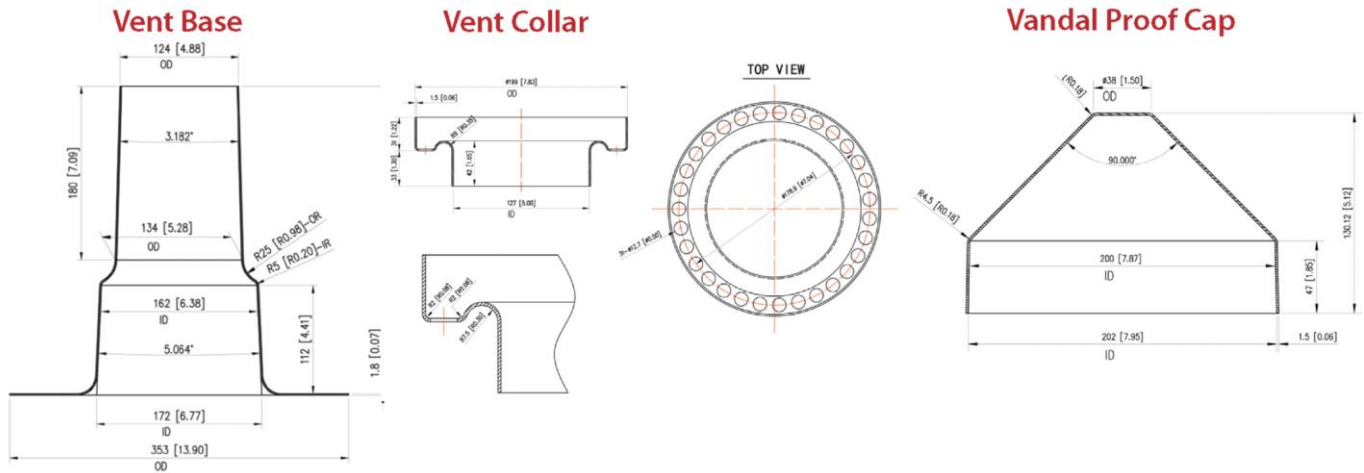


Dimensional Data are Subject to Manufacturing Tolerance and Change Without Notice



**ENGINEERING SPECIFICATION: VSVPC**

Vent stack with vandal proof cap.

**Material:** Aluminum

**Height:** 12.6" [320mm]

**Base Diameter:** 13.9" [353mm]

**Stack Diameter:** 6.77" [172mm]

**Cap Diameter:** 7.95" [202mm]

**Body Thickness:** 0.07" [1.8mm]

**Cap Thickness:** 0.06" [1.5mm]

**Cap Height:** 5.12" [130mm]

**SUFFIXES**

